

Product availability : Stock - Normally stocked in distribution facility



Price** : 7,677.00 USD



Main

Product	Single Throw Safety Switch
Current Rating	600 A
Certifications	UL listed file E2875
Enclosure Rating	NEMA 3R galvanized steel
Factory Installed Neutral	Neutral (factory installed)
Disconnect Type	Fusible disconnect
Short Circuit Current Rating	10 kA H or K 200 kA R, J or L
Mounting Type	Surface
Number of Poles	2
Electrical Connection	Lugs
Duty Rating	Heavy duty
Voltage Rating	250 V DC 240 V AC
Wire Size	AWG 3/0...500 kcmil copper or aluminium

Complementary

Width	708.15 mm (27.88 in)
Height	1277.87 mm (50.31 in)
Depth	257.30 mm (10.13 in)
Tightening torque	42.37 N.m (375 lbf.in) AWG 3/0...500 kcmil)

Ordering and shipping details

Category	00054 - H&HU SW,NEMA3R,400-1200A
Discount Schedule	DE1
GTIN	00785901450726
Package weight(Lbs)	77.11 kg (170 lb(US))

Returnability	Yes
Country of origin	MX

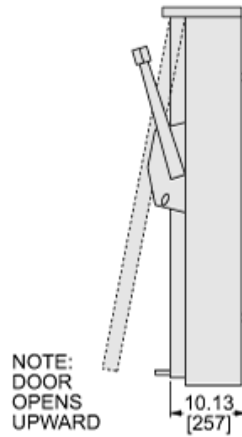
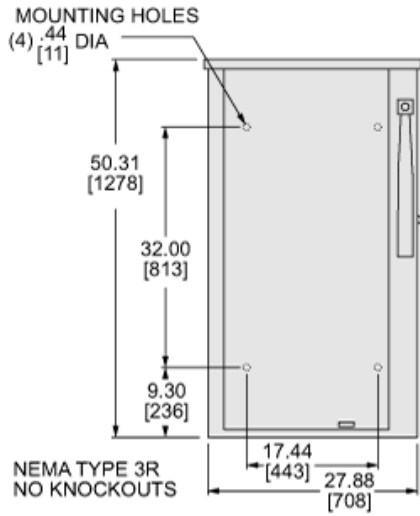
Offer Sustainability

Sustainable offer status	Green Premium product
REACH Regulation	REACH Declaration
REACH free of SVHC	Yes
EU RoHS Directive	Compliant EU RoHS Declaration
Mercury free	Yes
RoHS exemption information	Yes
China RoHS Regulation	China RoHS declaration Product out of China RoHS scope. Substance declaration for your information.
Environmental Disclosure	Product Environmental Profile
Circularity Profile	No need of specific recycling operations

Contractual warranty

Warranty	18 months
----------	-----------

Approximate Dimensions



in.
[mm]

